

OptiCon TurboLine

Inline AOI System for High-End Inspection



Maximum Fault Detection

- unique multispectral illumination
- patented 360° inspection in 1° steps with adapted focal plane
- program optimisation by means of statistically recorded inspection data

18 different Camera Configurations

- orthogonal top inspection (optional microscopic resolution)
- orthogonal bottom inspection
- rotatory angled-view inspection with unique inspection area

Speed Advantages over common AOI Systems

- double-sided PCB inspection without flipping
- identical inspection areas of the orthogonal and angled-view cameras
- loading and reloading by three-segment-belt during inspection

Automated Optical Inspection OptiCon TurboLine at a Glance



Software user interface OptiCon PILOT



Repair station software



Statistics module

GOPEL
electronic
Get the total Coverage!

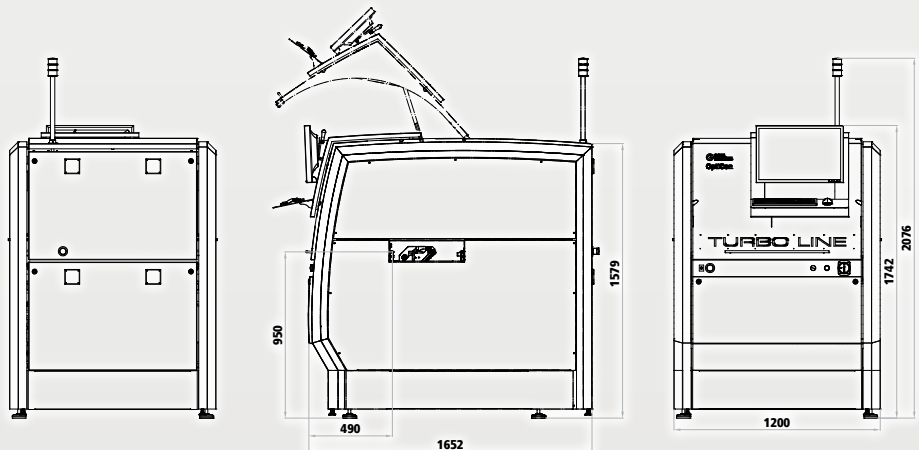
ISO 9001 certified

AOI-TL/E/2012-11

Inspection Parameters

Orthogonal top/bottom inspection, angled-view top inspection

Image capturing technology	up to 48 megapixels, 24 bit colour depth
Lens	telecentric
Resolution	up to 6.5 μm
Illumination	multispectral, multi-directional
Handling time	3 s
Inspection speed	up to 60 cm^2/s
Angled-view inspection	0°–360° in 1° steps
Double-sided PCB inspection	without flipping
PCB size / carrier size	up to 610 mm x 460 mm
Max. PCB weight	5 kg
PCB clearance top side	up to 80 mm
PCB clearance bottom side	up to 50 mm
Smallest inspectable component	01005 / Pitch 0.3



System Specifications

Inline interface	SMEMA, Siemens, Sensor
Transportation directions	left-right / right-left / left-left / right-right
Power requirements	230 V AC / 1 kVA; 6 bar compressed air, consumption < 20 l/h
Dimensions (w x d x h)	1,200 mm x 1,652 mm x 1,742 mm
Weight	ca. 1000 kg

GOPEL electronic GmbH
Goeschwitzer Straße 58/60
••• 07745 Jena/Germany
Tel: +49(0)-36 41-68 96-0
Fax: +49(0)-36 41-68 96-944
Email: sales@goepel.com
Internet: www.goepel.com

ATERON

Authorised Distributor:

Ateron LTD
Karacaoğlan Mah. 6167 Sok. No:44/H
Işıkkent-Bornova/ İZMİR - TÜRKİYE
Tel: +90 (0) 232 - 437 35 37
Fax: +90 (0) 232 - 437 35 39
Email: info@ateron.com.tr
Internet: www.ateron.com.tr

sales@goepel.co.uk

sales@goepelusa.com

sales@goepel.asia

sales@goepel.fr

sales@goepel.in